



TrakSPAX Double Adjustable Motorsport Dampers



Part No.	Open Length inches	Closed Length inches	Stroke inches	Spring Thread inches	Open Length mm	Closed Length mm	Stroke mm	Spring Thread mm	Max Spring Length	Price ea. excl. VAT
DA75/975	9.75	7.50	2.25	2.56	248	191	57	65	6	249.99
DA75/100	10.00	7.50	2.50	2.56	254	191	64	65	6	249.99
DA80/107	10.75	8.00	2.75	2.95	273	203	70	75	7	249.99
DA80/110	11.00	8.00	3.00	2.95	279	203	76	75	7	249.99
DA90/117	11.75	9.00	2.75	3.35	298	229	70	85	8	249.99
DA90/120	12.00	9.00	3.00	3.35	305	229	76	85	8	249.99
DA90/122	12.25	9.00	3.25	3.74	311	229	83	95	8	249.99
DA90/125	12.50	9.00	3.50	3.74	318	229	89	95	9	249.99
DA90/127	12.75	9.00	3.75	3.74	324	229	95	95	9	249.99
DA90/130	13.00	9.00	4.00	3.74	330	229	102	95	9	249.99
DA100/137	13.75	10.00	3.75	3.74	349	254	95	95	10	249.99
DA100/140	14.00	10.00	4.00	3.74	356	254	102	95	10	249.99
DA100/142	14.25	10.00	4.25	4.13	362	254	108	105	10	249.99
DA100/145	14.50	10.00	4.50	4.13	368	254	114	105	11	249.99
DA100/150	15.00	10.00	5.00	4.13	381	254	127	105	11	249.99
DA120/155	15.50	12.00	3.50	4.72	394	305	89	120	12	249.99
DA120/160	16.00	12.00	4.00	4.72	406	305	102	120	12	249.99
DA120/165	16.50	12.00	4.50	4.72	419	305	114	120	13	249.99
DA120/170	17.00	12.00	5.00	4.72	432	305	127	120	13	249.99
DA120/175	17.50	12.00	5.50	4.72	445	305	140	120	14	249.99
DA120/180	18.00	12.00	6.00	4.72	457	305	152	120	14	249.99
DA120/185	18.50	12.00	6.50	4.72	470	305	165	120	15	249.99
DA120/190	19.00	12.00	7.00	4.72	483	305	178	120	15	249.99

**Aircraft Grade Aluminium Body,
CNC Machined & Hard Anodised
for Unparalleled Quality & 20% Lower Weight**

**100% Independent Bump & Rebound Adjustment
with Easy to Use Adjuster Knobs for Precise,
Repeatable and Fast Adjustments**

**Each Damper Individually Hand Built,
Dyno Tested & Calibrated to ensure
Quality and Consistent Performance**

**TrakSPAX Dampers are
FULLY REBUILDABLE & SERVICEABLE
by SPAX Factory Technicians
ensuring Long and Economic Life**

**Each TrakSPAX Damper comes with a
FREE SERVICE in the 1st year**



TrakSPAX Single Adjustable Motorsport Dampers



Part No.	Open Length inches	Closed Length inches	Stroke inches	Spring Thread inches	Open Length mm	Closed Length mm	Stroke mm	Spring Thread mm	Max Spring Length	Price ea. excl. VAT
SA70/900	9.00	7.00	2.00	2.56	229	178	51	65	5	199.99
SA70/925	9.25	7.00	2.25	2.56	235	178	57	65	5	199.99
SA70/950	9.50	7.00	2.50	2.56	241	178	64	65	6	199.99
SA75/975	9.75	7.50	2.25	2.56	248	191	57	65	6	199.99
SA75/100	10.00	7.50	2.50	2.56	254	191	64	65	6	199.99
SA75/102	10.25	7.50	2.75	2.95	260	191	70	75	6	199.99
SA75/105	10.50	7.50	3.00	2.95	267	191	76	75	7	199.99
SA80/107	10.75	8.00	2.75	2.95	273	203	70	75	7	199.99
SA80/110	11.00	8.00	3.00	2.95	279	203	76	75	7	199.99
SA80/112	11.25	8.00	3.25	3.35	286	203	83	85	7	199.99
SA80/115	11.50	8.00	3.50	3.35	292	203	89	85	8	199.99
SA90/117	11.75	9.00	2.75	3.35	298	229	70	85	8	199.99
SA90/120	12.00	9.00	3.00	3.35	305	229	76	85	8	199.99
SA90/122	12.25	9.00	3.25	3.74	311	229	83	95	8	199.99
SA90/125	12.50	9.00	3.50	3.74	318	229	89	95	9	199.99
SA90/127	12.75	9.00	3.75	3.74	324	229	95	95	9	199.99
SA90/130	13.00	9.00	4.00	3.74	330	229	102	95	9	199.99
SA90/132	13.25	9.00	4.25	3.74	337	229	108	95	9	199.99
SA90/135	13.50	9.00	4.50	3.74	343	229	114	95	10	199.99
SA100/137	13.75	10.00	3.75	3.74	349	254	95	95	10	199.99
SA100/140	14.00	10.00	4.00	3.74	356	254	102	95	10	199.99
SA100/142	14.25	10.00	4.25	4.13	362	254	108	105	10	199.99
SA100/145	14.50	10.00	4.50	4.13	368	254	114	105	11	199.99
SA100/150	15.00	10.00	5.00	4.13	381	254	127	105	11	199.99
SA100/155	15.50	10.00	5.50	4.13	394	254	140	105	12	199.99
SA120/155	15.50	12.00	3.50	4.72	394	305	89	120	12	199.99
SA120/160	16.00	12.00	4.00	4.72	406	305	102	120	12	199.99
SA120/165	16.50	12.00	4.50	4.72	419	305	114	120	13	199.99
SA120/170	17.00	12.00	5.00	4.72	432	305	127	120	13	199.99
SA120/175	17.50	12.00	5.50	4.72	445	305	140	120	14	199.99
SA120/180	18.00	12.00	6.00	4.72	457	305	152	120	14	199.99
SA120/185	18.50	12.00	6.50	4.72	470	305	165	120	15	199.99
SA120/190	19.00	12.00	7.00	4.72	483	305	178	120	15	199.99
SA120/195	19.50	12.00	7.50	4.72	495	305	191	120	16	199.99

**Aircraft Grade Aluminium Body,
CNC Machined & Hard Anodised
for Unparalleled Quality & 20% Lower Weight**

**28 Stage Bump & Rebound Adjustment with
Easy to Use Adjuster Knob
for Precise, Repeatable and Fast Adjustments**

**Each Damper Individually Hand Built,
Dyno Tested & Calibrated to ensure
Quality and Consistent Performance**

**TrakSPAX Dampers are
FULLY REBUILDABLE & SERVICEABLE
by SPAX Factory Technicians
ensuring Long and Economic Life**

**Each TrakSPAX Damper comes with a
FREE SERVICE in the 1st year**



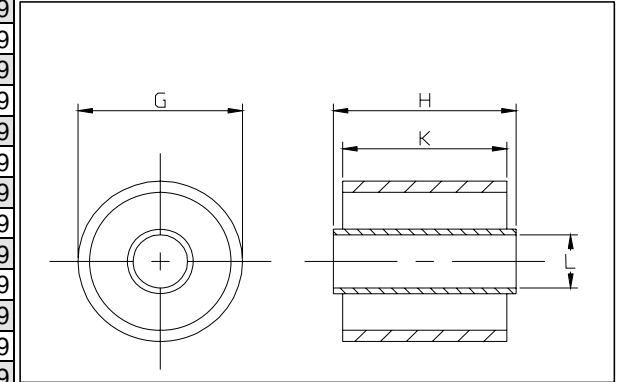
Accessories

Part No.	"G" Loop Diameter mm	"G" Loop Diameter inches	"H" Overall Length mm	"H" Overall Length inches	"K" Bush Length mm	"K" Bush Length inches	"L" Internal Diameter mm	"L" Internal Diameter inches	Price ea. excl. VAT
----------	----------------------------	--------------------------------	-----------------------------	---------------------------------	--------------------------	------------------------------	--------------------------------	------------------------------------	------------------------

Bonded Bushes

0060151	BB10	28.6	1 1/8	25.4	1	23.8	15/16	9.5	3/8	3.99
0060152	BB11	28.6	1 1/8	31.8	1 1/4	28.6	1 1/8	9.5	3/8	3.99
0060153	BB12	28.6	1 1/8	35.0	1 3/8	31.8	1 1/4	9.5	3/8	3.99
0060155	BB14	28.6	1 1/8	31.8	1 1/4	28.6	1 1/8	11.0	7/16	3.99
0060157	BB16	28.6	1 1/8	38.1	1 1/2	31.8	1 1/4	11.0	7/16	3.99
0060159	BB18	28.6	1 1/8	31.8	1 1/4	28.6	1 1/8	12.7	1/2	3.99
0060160	BB19	28.6	1 1/8	38.1	1 1/2	31.8	1 1/4	12.7	1/2	3.99
0060161	BB20	28.6	1 1/8	41.3	1 5/8	38.1	1 1/2	11.0	7/16	3.99
0060162	BB21	28.6	1 1/8	31.8	1 1/4	28.6	1 1/8	10.0	25/64	3.99
0060163	BB22	28.6	1 1/8	31.8	1 1/4	28.6	1 1/8	12.0	15/32	3.99
0060164	BB23	28.6	1 1/8	31.8	1 1/4	28.6	1 1/8	13.0	33/64	3.99
0060215	MB003	31.8	1 1/4	33.5	1 5/16	30.5	1 13/64	12.7	1/2	3.99
0060216	MB004	29.8	1 11/64	30.5	1 13/64	25.4	1	16.0	5/8	3.99

Bushes & Bearings



Spherical Bearings

0060037	M110	28.6	1 1/8	9.50	3/8			12.70	1/2	19.99
---------	------	------	-------	------	-----	--	--	-------	-----	-------

Shortened Anti-Roll Bar Links

Part No.	Applicati	mm	Price excl. VAT
SU82BM01	BMW E46 02/98-		349.99
SU82BM01/1	BMW E46 02/98-		349.99
SU82BM02	BMW E46 02/98-		349.99
SU82BM02/1	BMW E46 02/98-		349.99
SU82BM03	BMW E46 02/98-		349.99
SU82BM03/1	BMW E46 02/98-		349.99
SU82BM04	BMW E46 02/98-		379.99
SU82BM04/1	BMW E46 02/98-		379.99
SU82BM04/2	BMW E46 02/98-		379.99
SU82BM05	BMW E46 02/98-		379.99
SU82BM05/1	BMW E46 02/98-		379.99
SUKO001	VAG 08/96-05 ADJUSTABLE		49.99
SUKO002	VX Astra G 02/98-		49.99
SUKO003	BMW E46 02/98-		49.99



C-Spanners

Part No.		Price ea. excl. VAT
C103	2.25" Lock Rings; RSX	6.49
C102	1.9" Lock Rings	6.49



Bump Stops

Part No.		Length mm	Length inches	Price ea. excl. VAT
0060042	M41	45	1 3/4	1.99
0060079	M51	27	1 1/16	1.99
0060124	M63A	60	2 3/8	4.99
0060127	M63F	150	6	14.99
0060128	M63G	150	6	14.99
0060129	M63H	150	6	14.99
0060130	M63I	150	6	14.99
TA13823	Loose	45	1.75	3.99
0460146	Loose	60	2.4	7.99

